

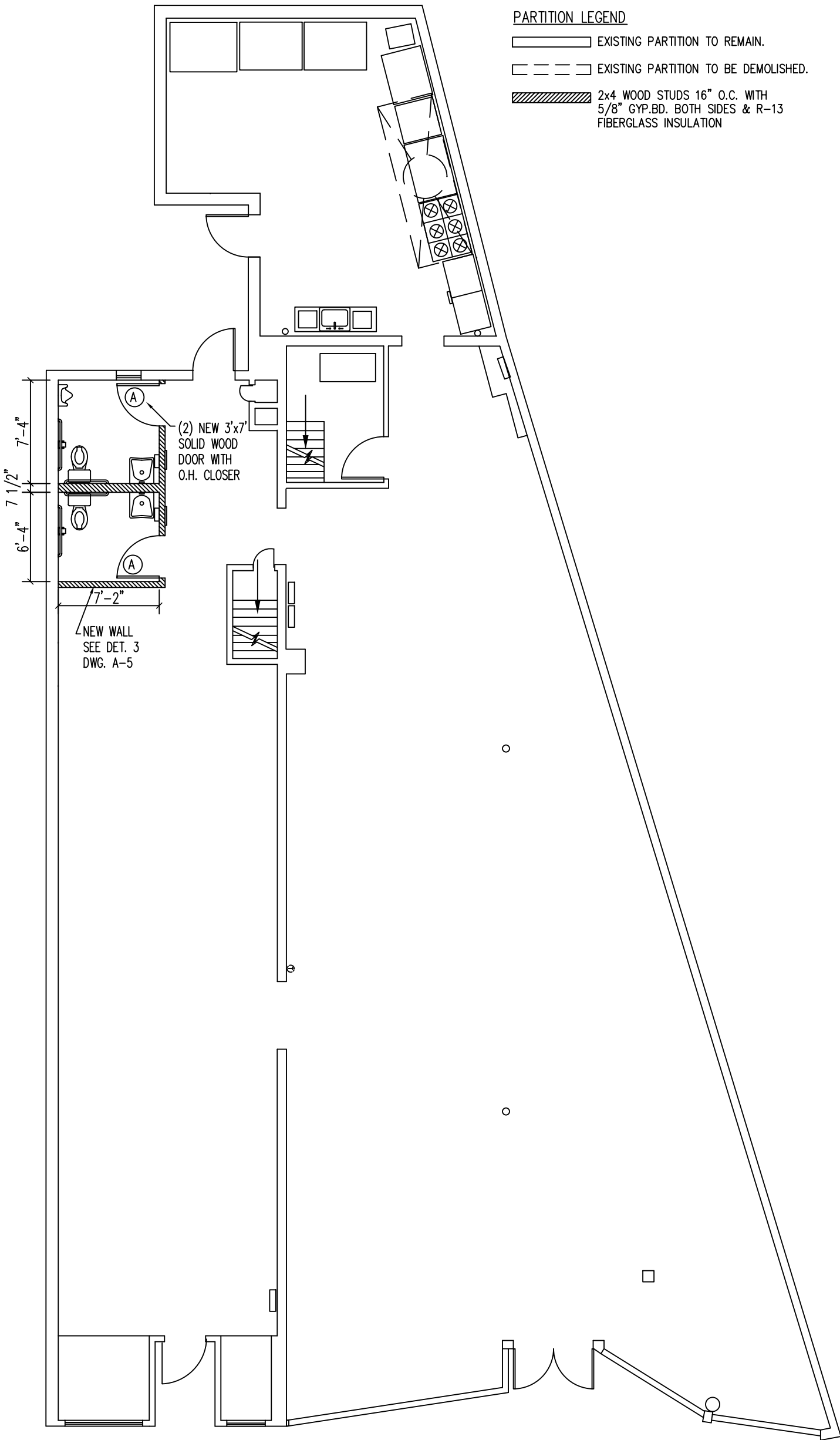
1 DEMOLITION PLAN

SCALE: 1/8"=1'-0"

GEORGE P. STANLEY PROFESSIONAL ARCHITECT N.J.R.A. LIC.#C-6097	Title: DEMOLITION PLAN	Drawing Number A-1.1	<table border="1"> <thead> <tr> <th colspan="2">REVISIONS</th> </tr> <tr> <th>No.</th> <th>DATE</th> </tr> </thead> <tbody> <tr> <td> </td> <td> </td> </tr> </tbody> </table>	REVISIONS		No.	DATE			Project: NU BAR 1996-1998 MORRIS AVENUE UNION, NJ 07083 Block: 2904 Lot: 2
	REVISIONS									
No.	DATE									
Angelica Redpath, Designer Imagine Green Design Corp. North Brunswick, NJ 08902 (732) 485-4452	SCALE: 1/8"=1'-0"	DATE: 10/17/2006	DWG.							

PARTITION LEGEND

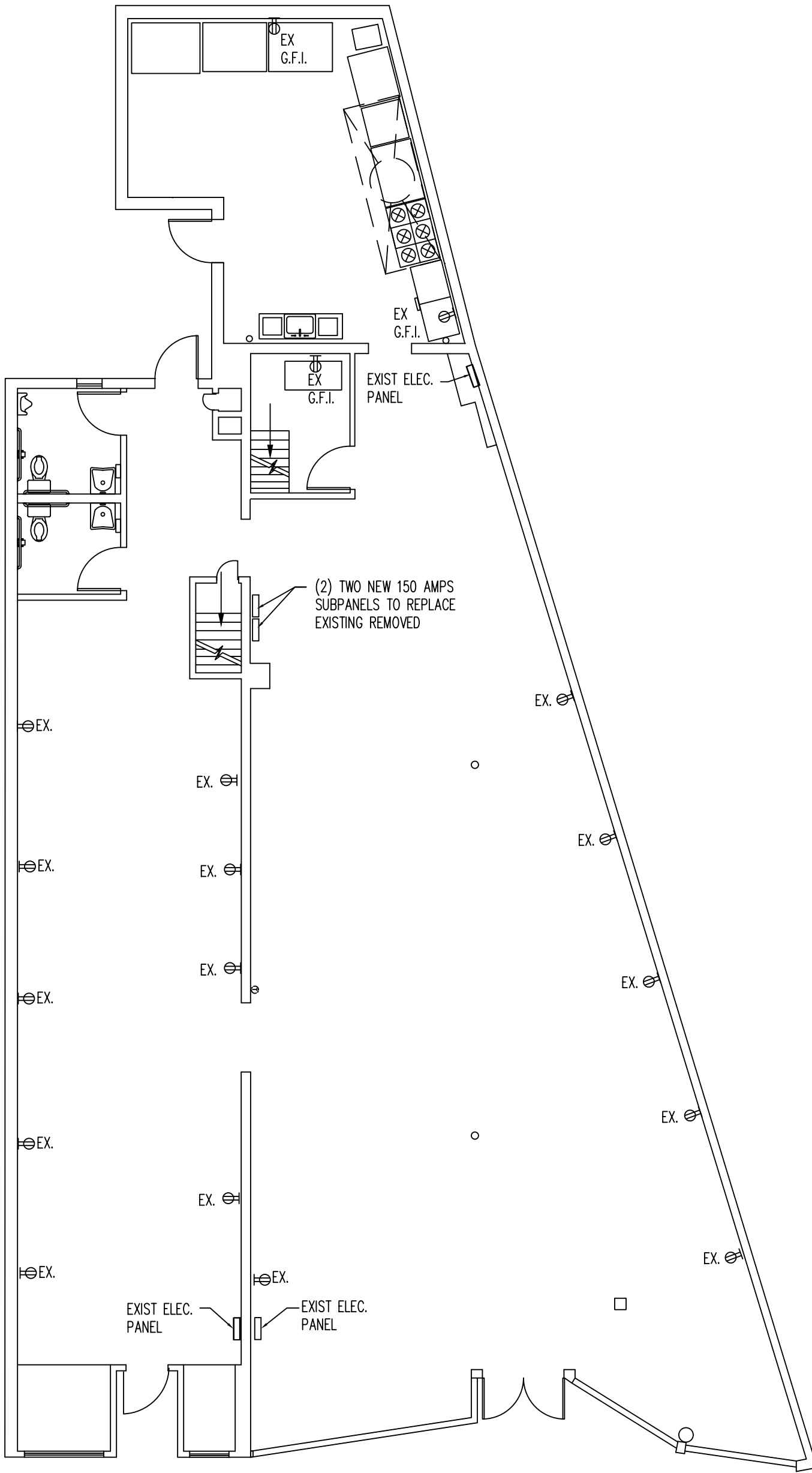
- EXISTING PARTITION TO REMAIN.
- EXISTING PARTITION TO BE DEMOLISHED.
- 2x4 WOOD STUDS 16" O.C. WITH 5/8" GYP.BD. BOTH SIDES & R-13 FIBERGLASS INSULATION



1 CONSTRUCTION FLOOR PLAN

SCALE: 1/8"=1'-0"

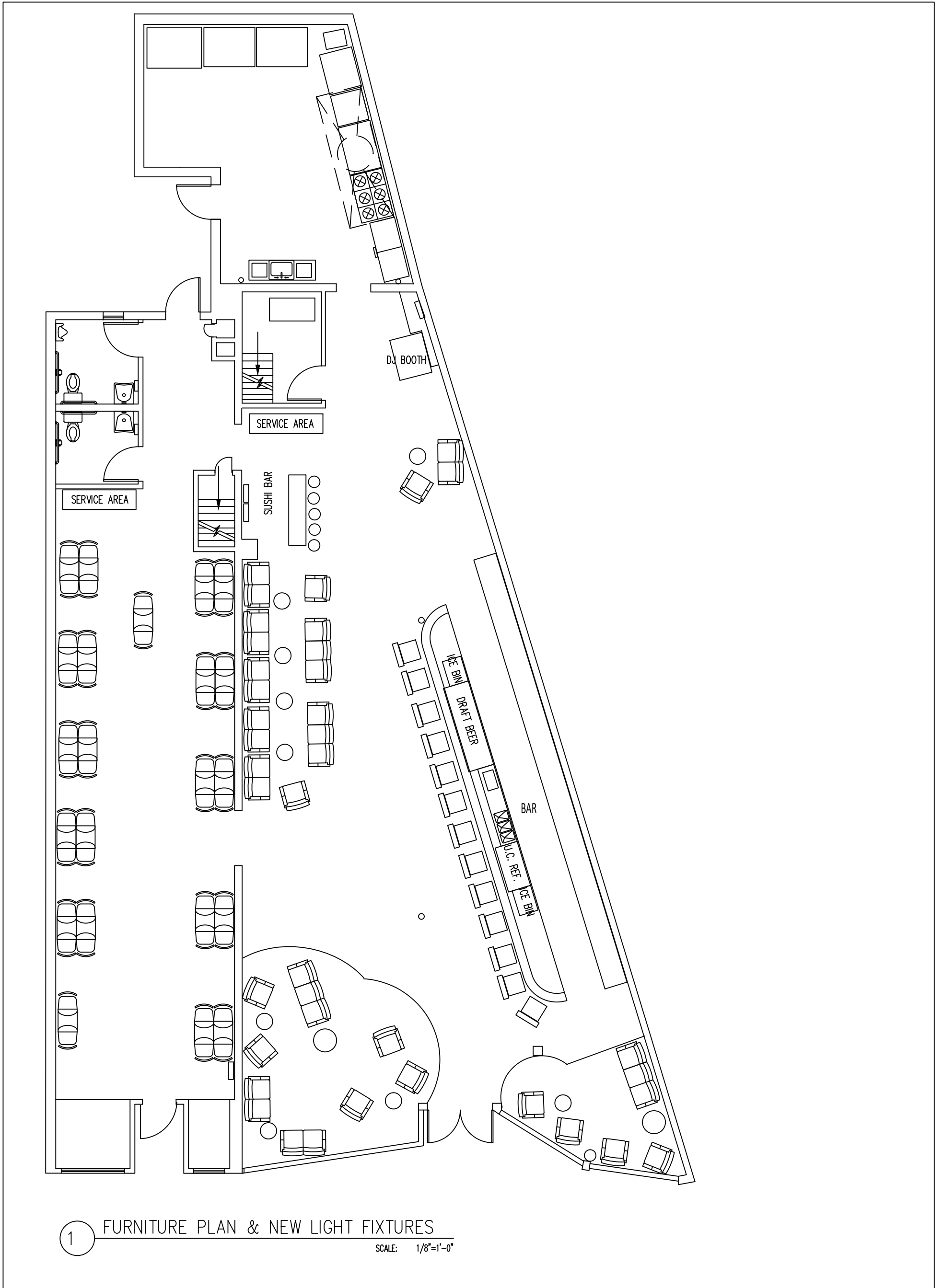
GEORGE P. STANLEY PROFESSIONAL ARCHITECT N.J.R.A. LIC.#C-6097	Title: CONSTRUCTION FLOOR PLAN	Drawing Number A-2.1	REVISIONS <table border="1" style="width: 100%; border-collapse: collapse;"> <thead> <tr> <th style="width: 5%;">NO.</th> <th style="width: 5%;">DATE</th> </tr> </thead> <tbody> <tr> <td> </td> <td> </td> </tr> </tbody> </table>	NO.	DATE			Project: NU BAR 1996-1998 MORRIS AVENUE UNION, NJ 07083 Block: 2904 Lot: 21
	NO.	DATE						
Angelica Redpath, Designer Imagine Green Design Corp. North Brunswick, NJ 08902 (732) 485-4452		SCALE: 1/8"=1'-0" DATE: 10/17/2006 DWG.						



1 ELECTRICAL PLAN

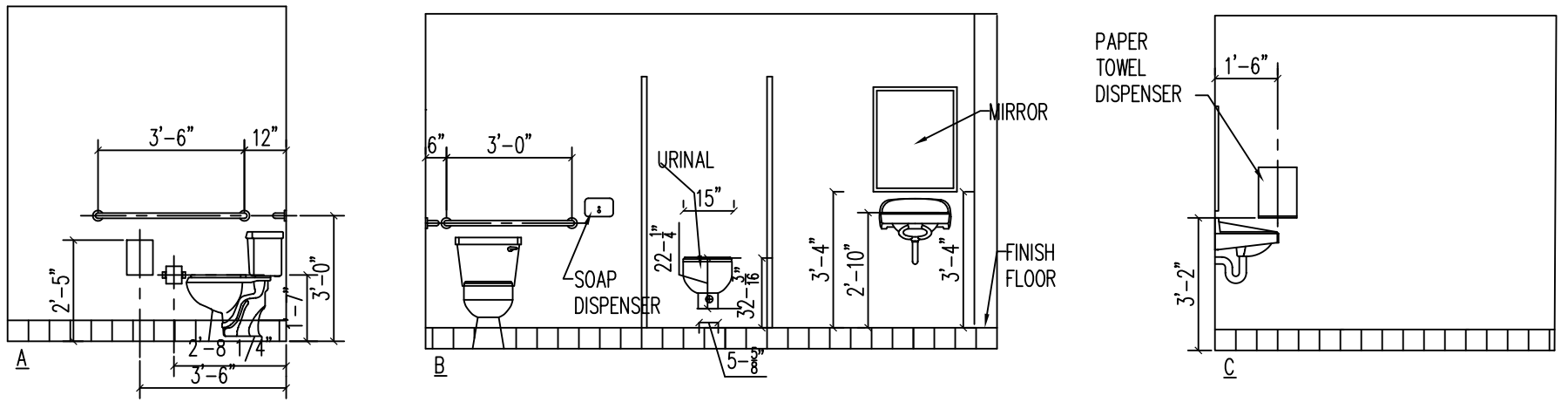
SCALE: 1/8"=1'-0"

GEORGE P. STANLEY PROFESSIONAL ARCHITECT N.J.R.A. LIC.#C-6097	Title: EXISTING ELECTRICAL PLAN	Drawing Number A-3.1	<table border="1"> <thead> <tr> <th colspan="2">REVISIONS</th> </tr> <tr> <th>No.</th> <th>DATE</th> </tr> </thead> <tbody> <tr> <td> </td> <td> </td> </tr> </tbody> </table>	REVISIONS		No.	DATE			Project: NU BAR 1996-1998 MORRIS AVENUE UNION, NJ 07083 Block: 2904 Lot: 21
	REVISIONS									
No.	DATE									
Angelica Redpath, Designer Imagine Green Design Corp. North Brunswick, NJ 08902 (732) 485-4452	SCALE: 1/8"=1'-0" DATE: 10/17/2006 DWG.									

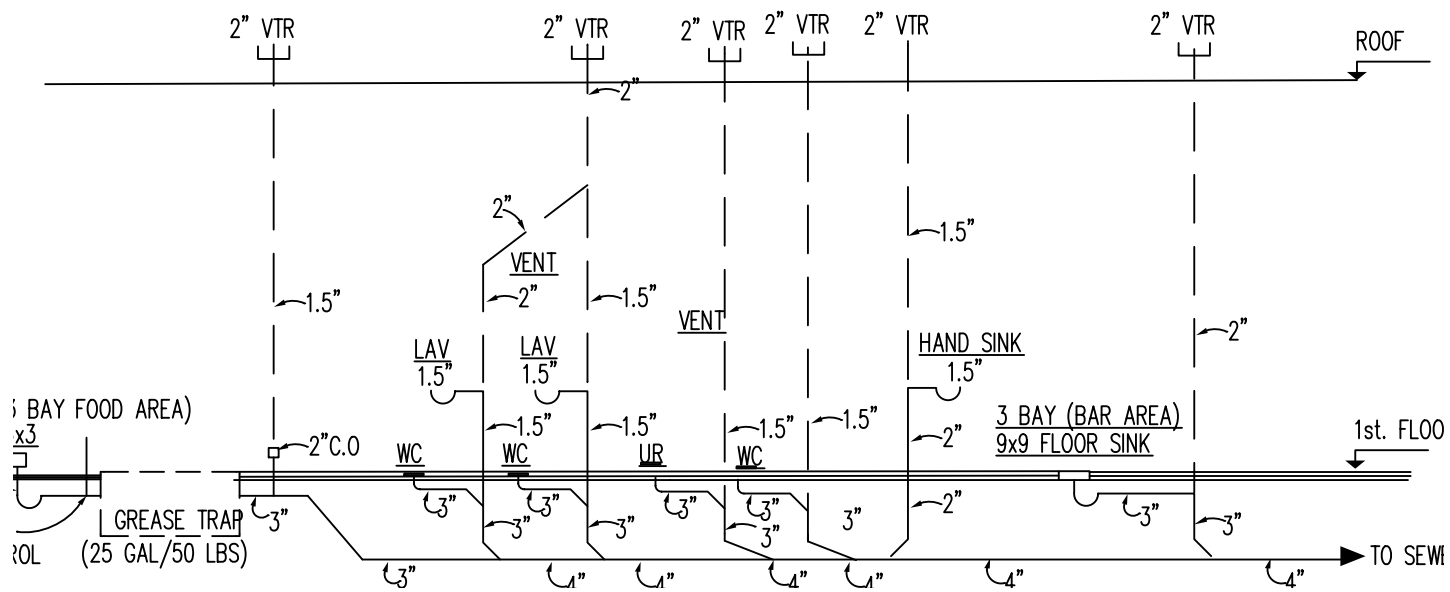


1 FURNITURE PLAN & NEW LIGHT FIXTURES
 SCALE: 1/8"=1'-0"

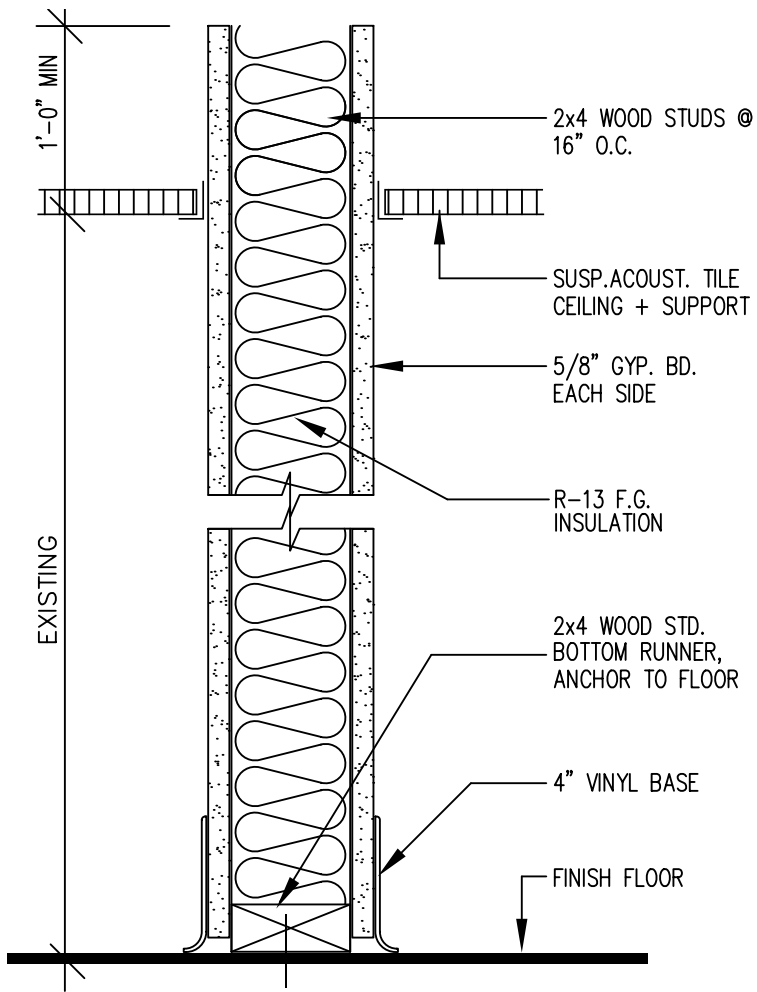
GEORGE P. STANLEY PROFESSIONAL ARCHITECT N.J.R.A. LIC.#C-6097	Title: FURNITURE PLAN	Drawing Number A-4	REVISIONS No. DATE	Project: NU BAR 1996-1998 MORRIS AVENUE UNION, NJ 07083
	Angelica Redpath, Designer Imagine Green Design Corp. North Brunswick, NJ 08902 (732) 485-4452			
SCALE: 1/8"=1'-0"			DATE: 10/17/2006	DWG.



1 H.C. TOILET PLAN & ELEVATIONS
SCALE: 1/4"=1'-0"

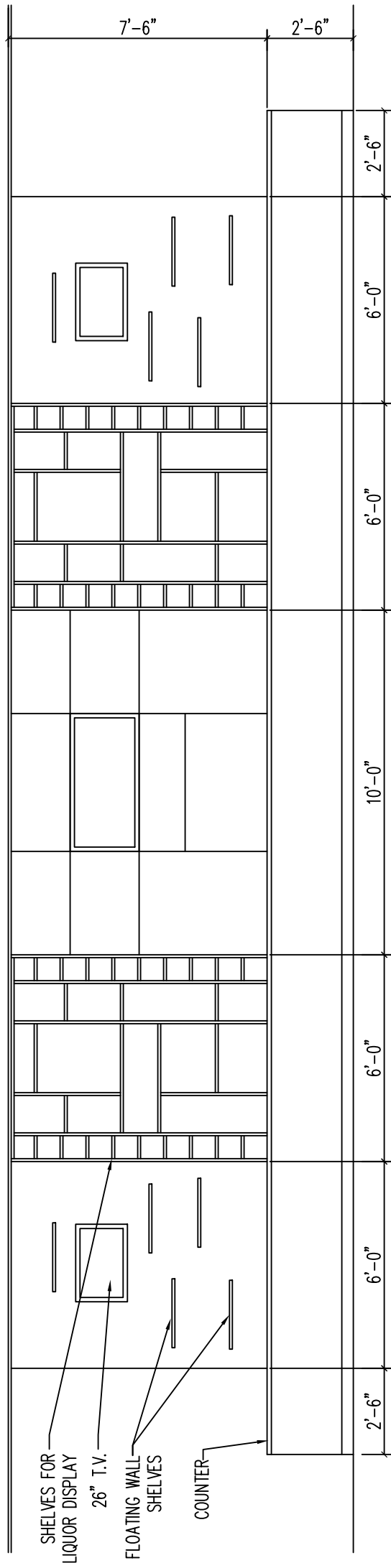


2 PLUMBING RAISER DIAGRAM
SCALE: N.T.S.



3 WALL TYPE 1
SCALE: N.T.S.

GEORGE P. STANLEY PROFESSIONAL ARCHITECT N.J.R.A. LIC.#C-6097	Title: BATHROOM DETAILS & WALL TYPE	Drawing Number A-5	REVISIONS No. DATE	Project: NU BAR 1996-1998 MORRIS AVENUE UNION, NJ 07083 Block: 2904 Lot: 21
	Angelica Redpath, Designer Imagine Green Design Corp. North Brunswick, NJ 08902 (732) 485-4452			SCALE: 1/8"=1'-0" DATE: 10/17/2006 DWG.



1 SHELVES FOR LIQUOR DISPLAY
SCALE: 1/4"=1'-0"

GEORGE P. STANLEY
PROFESSIONAL ARCHITECT
N.J.R.A. LIC.#C-6097

Title:
LIQUOR DISPLAY

Angelica Redpath, Designer

Imagine Green Design Corp.
North Brunswick, NJ 08902
(732) 485-4452

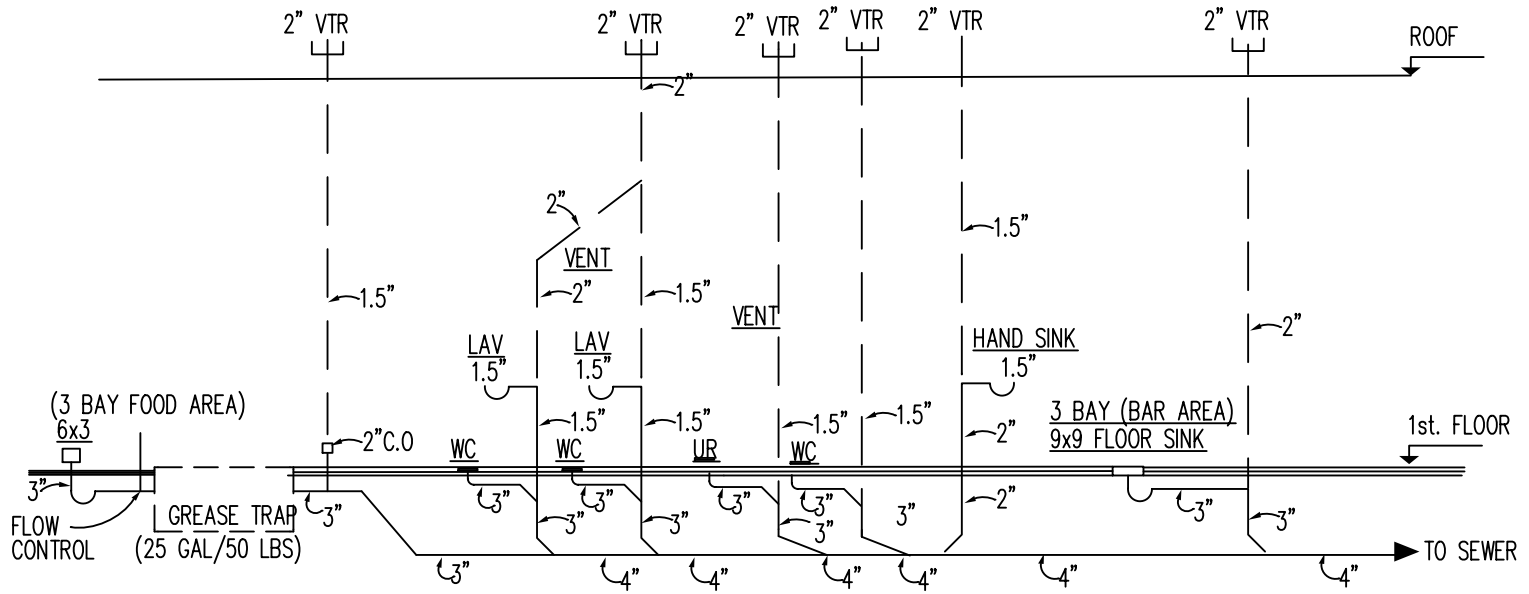
Drawing Number
A-6

REVISIONS	
No.	DATE

Project:
NU BAR

1996-1998 MORRIS AVENUE
UNION, NJ 07083 Block: 2904 Lot: 21

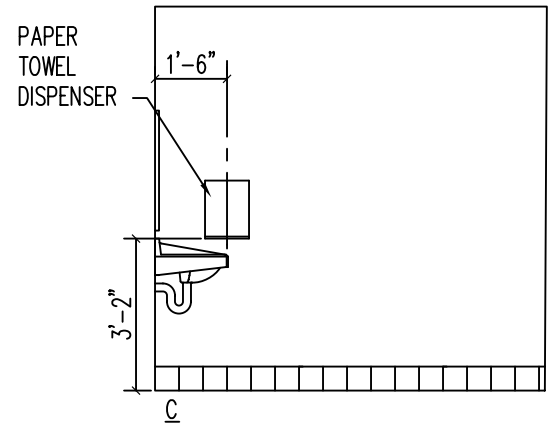
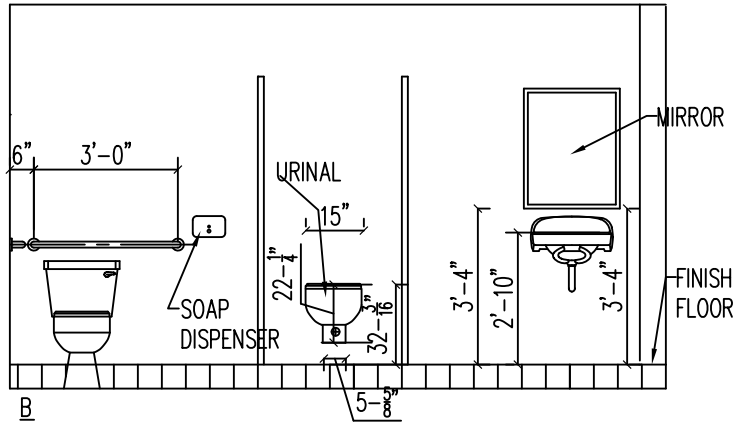
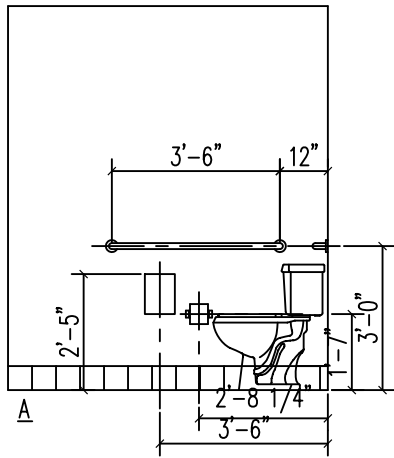
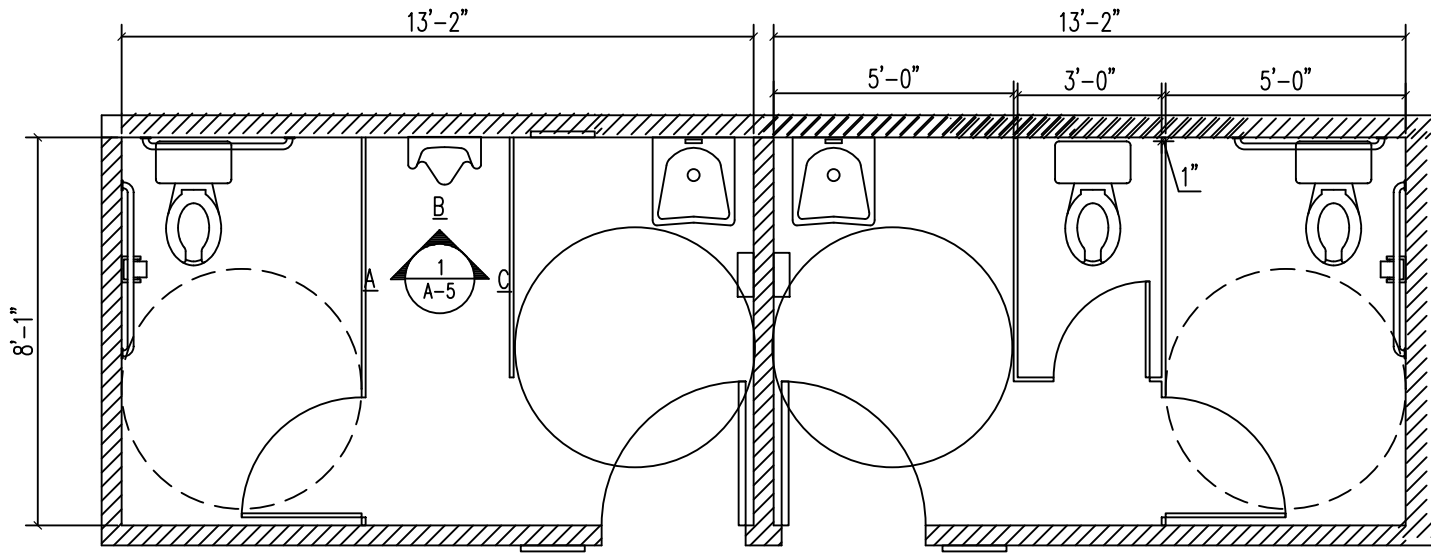
SCALE: 1/8"=1'-0" DATE: 10/17/2006 DWG.



2 PLUMBING RAISER DIAGRAM

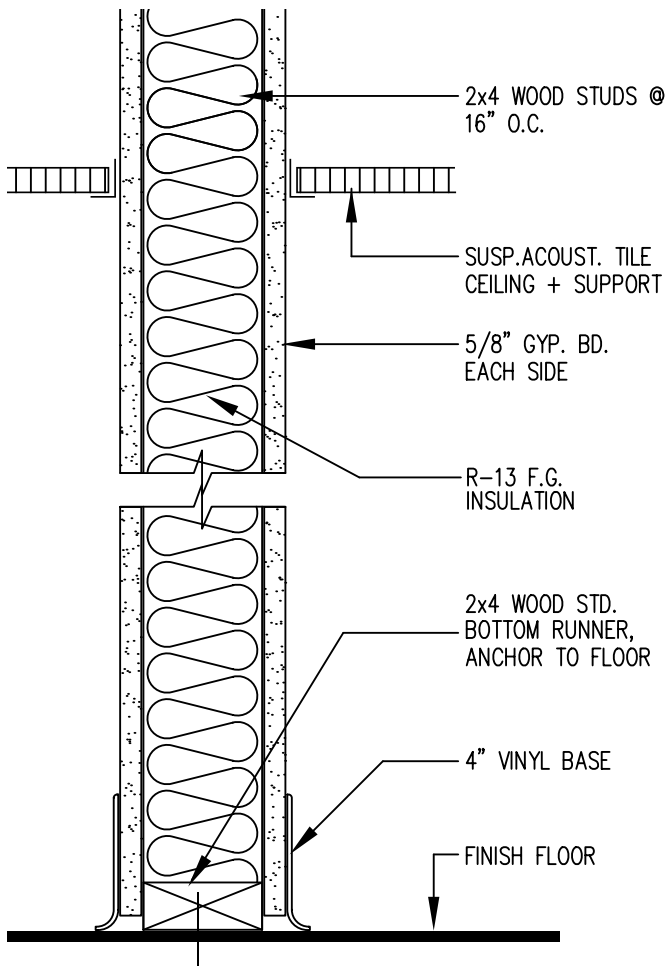
SCALE: N.T.S.

GEORGE P. STANLEY PROFESSIONAL ARCHITECT N.J.R.A. LIC.#C-6097	Title: PLUMBING	Drawing Number A-5.1	<table border="1"> <thead> <tr> <th colspan="2">REVISIONS</th> </tr> <tr> <th>No.</th> <th>DATE</th> </tr> </thead> <tbody> <tr> <td> </td> <td> </td> </tr> </tbody> </table>	REVISIONS		No.	DATE			Project: NU BAR 1996-1998 MORRIS AVENUE UNION, NJ 07083 Block: 2904 Lot: 21
	REVISIONS									
No.	DATE									
Angelica Redpath, Designer Imagine Green Design Corp. North Brunswick, NJ 08902 (732) 485-4452	SCALE: 1/8"=1'-0"	DATE: 10/17/2006	DWG.							



1 H.C. TOILET PLAN & ELEVATIONS

SCALE: 1/4"=1'-0"


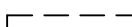



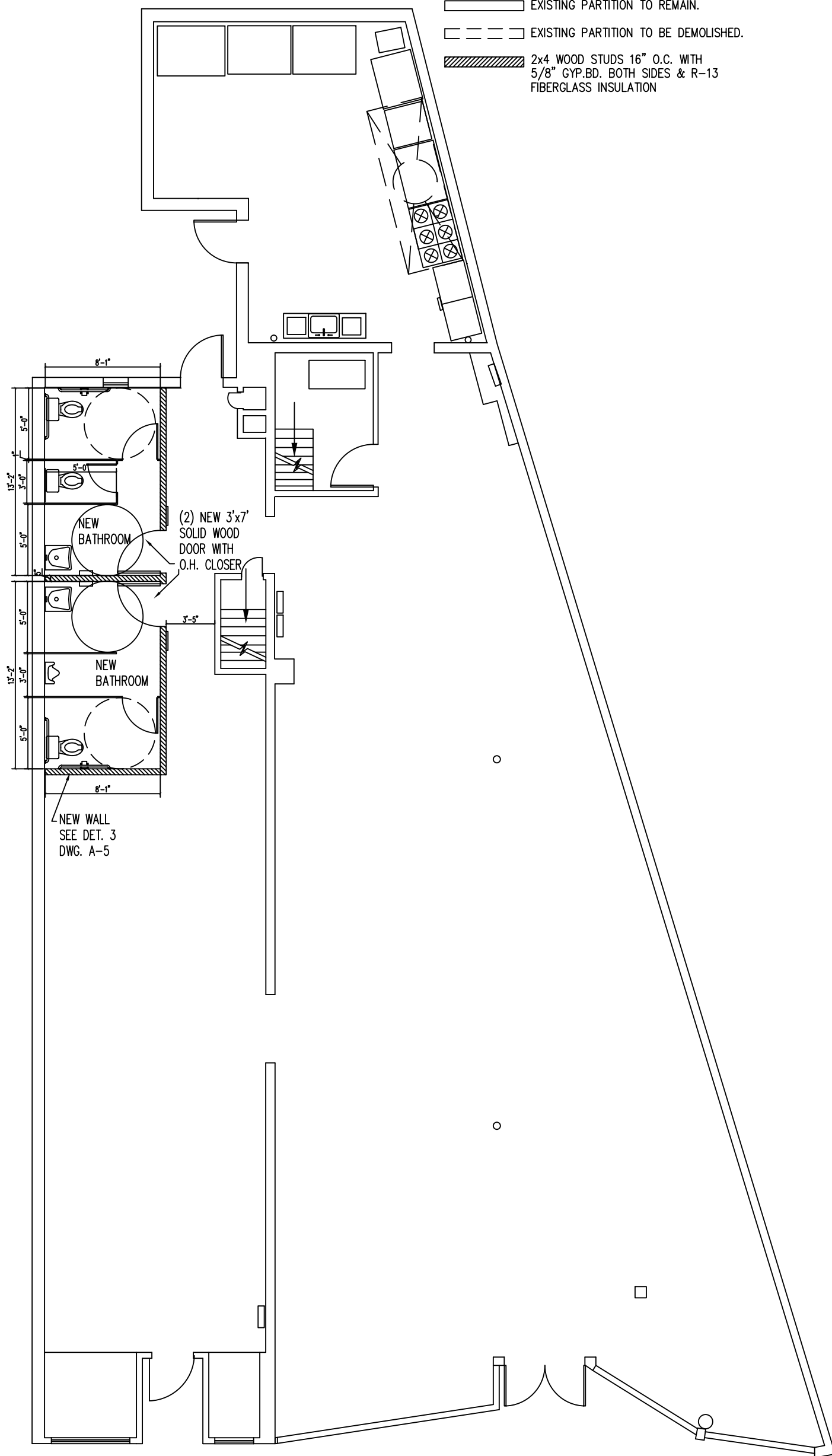
3 WALL TYPE 1

SCALE: N.T.S.

GEORGE P. STANLEY PROFESSIONAL ARCHITECT N.J.R.A. LIC.#C-6097	Title: BATHROOM DETAILS & WALL TYPE	Drawing Number A-5.2	REVISIONS No. DATE	Project: NU BAR 1996-1998 MORRIS AVENUE UNION, NJ 07083 Block: 2904 Lot: 21
	Angelica Redpath, Designer Imagine Green Design Corp. North Brunswick, NJ 08902 (732) 485-4452			SCALE: 1/8"=1'-0" DATE: 10/17/2006 DWG.

PARTITION LEGEND

-  EXISTING PARTITION TO REMAIN.
-  EXISTING PARTITION TO BE DEMOLISHED.
-  2x4 WOOD STUDS 16" O.C. WITH 5/8" GYP.BD. BOTH SIDES & R-13 FIBERGLASS INSULATION

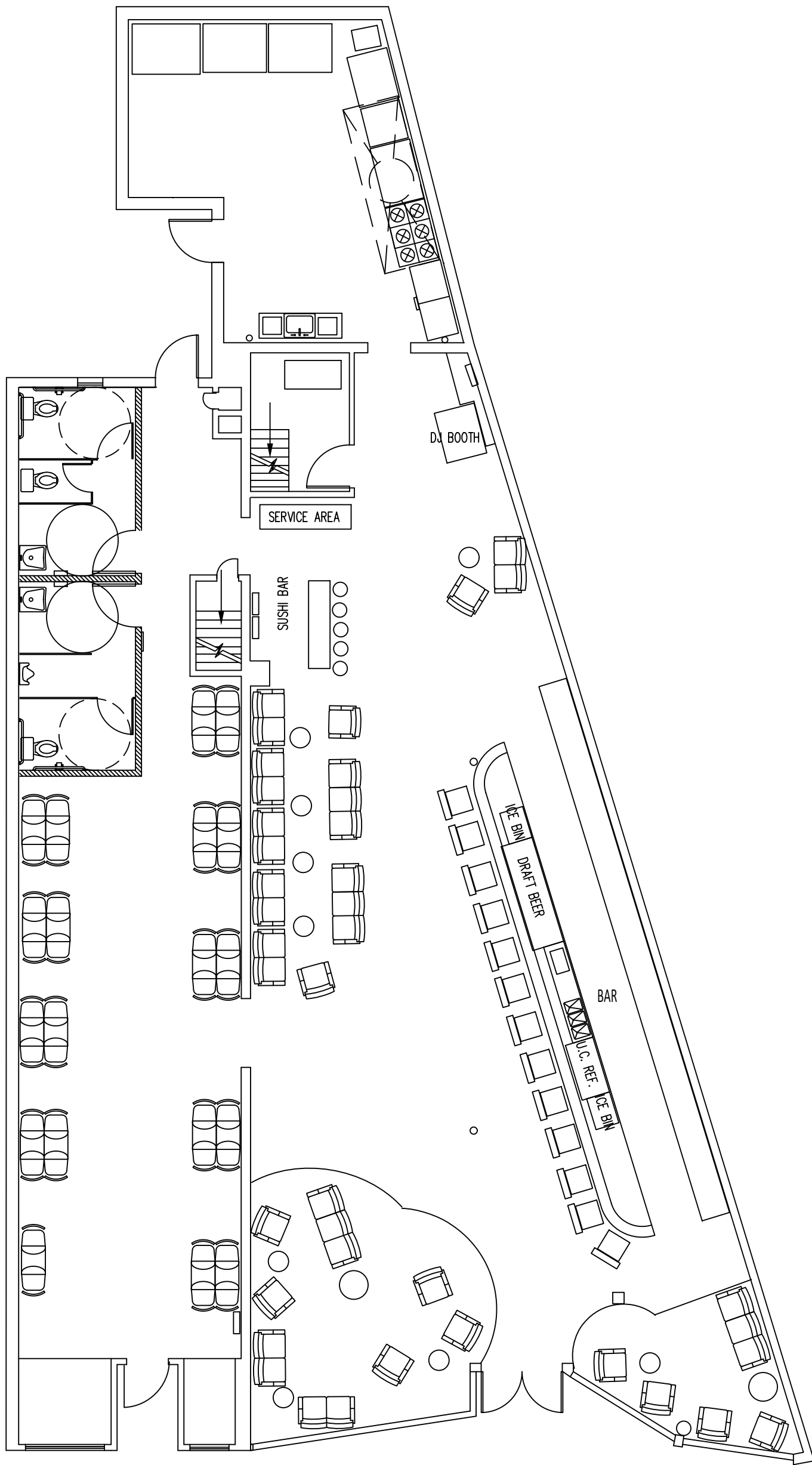


1

CONSTRUCTION FLOOR PLAN

SCALE: 1/8"=1'-0"

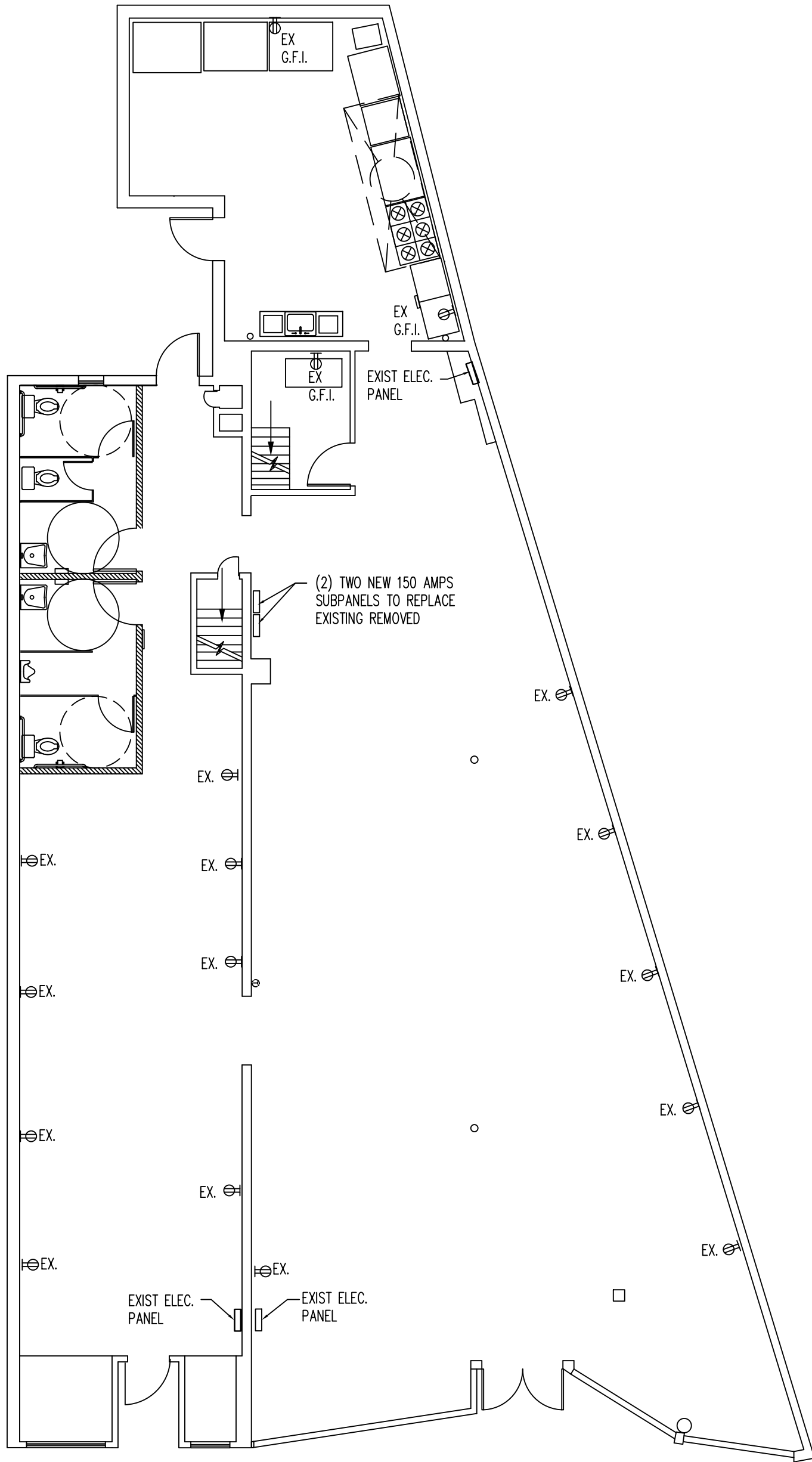
GEORGE P. STANLEY PROFESSIONAL ARCHITECT N.J.R.A. LIC.#C-6097	Title: CONSTRUCTION FLOOR PLAN	Drawing Number A-2.1	<table border="1"> <thead> <tr> <th colspan="2">REVISIONS</th> </tr> <tr> <th>NO.</th> <th>DATE</th> </tr> </thead> <tbody> <tr> <td> </td> <td> </td> </tr> </tbody> </table>	REVISIONS		NO.	DATE			Project: NU BAR 1996-1998 MORRIS AVENUE UNION, NJ 07083 Block: 2904 Lot: 21
	REVISIONS									
NO.	DATE									
Angelica Redpath, Designer Imagine Green Design Corp. North Brunswick, NJ 08902 (732) 485-4452		SCALE: 1/8"=1'-0" DATE: 10/17/2006 DWG.								



1 FURNITURE PLAN

SCALE: 1/8"=1'-0"

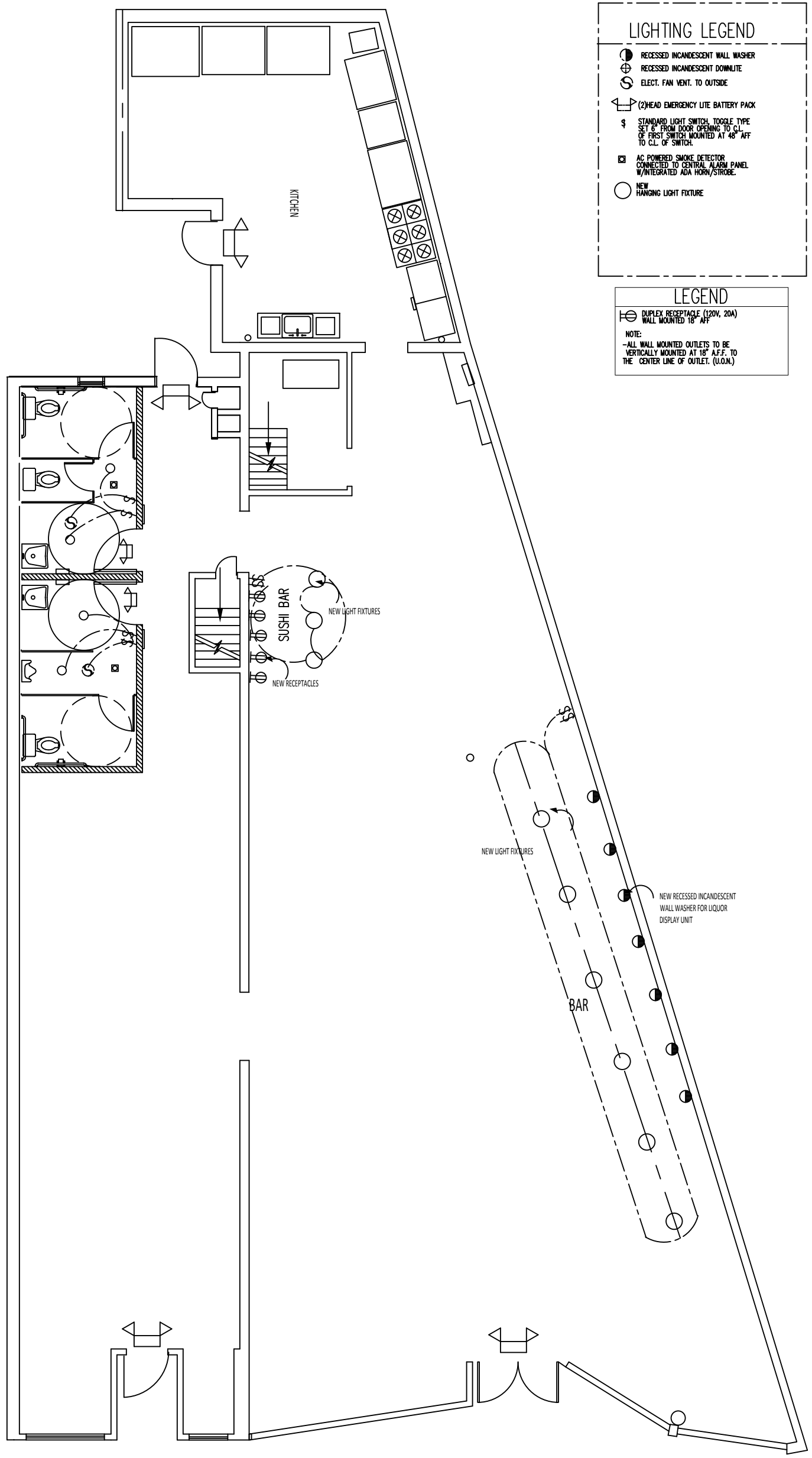
GEORGE P. STANLEY PROFESSIONAL ARCHITECT N.J.R.A. LIC.#C-6097	Title: FURNITURE PLAN	Drawing Number A-4.1	<table border="1"> <thead> <tr> <th colspan="2">REVISIONS</th> </tr> <tr> <th>No.</th> <th>DATE</th> </tr> </thead> <tbody> <tr> <td> </td> <td> </td> </tr> </tbody> </table>	REVISIONS		No.	DATE			Project: NU BAR 1996-1998 MORRIS AVENUE UNION, NJ 07083 Block: 2904 Lot: 21
	REVISIONS									
No.	DATE									
Angelica Redpath, Designer Imagine Green Design Corp. North Brunswick, NJ 08902 (732) 485-4452	SCALE: 1/8"=1'-0"	DATE: 10/17/2006	DWG.							



1 ELECTRICAL PLAN

SCALE: 1/8"=1'-0"

GEORGE P. STANLEY PROFESSIONAL ARCHITECT N.J.R.A. LIC.#C-6097	Title: ELECTRICAL PLAN	Drawing Number A-3.1	<table border="1"> <thead> <tr> <th colspan="2">REVISIONS</th> </tr> <tr> <th>No.</th> <th>DATE</th> </tr> </thead> <tbody> <tr> <td> </td> <td> </td> </tr> </tbody> </table>	REVISIONS		No.	DATE			Project: NU BAR 1996-1998 MORRIS AVENUE UNION, NJ 07083 Block: 2904 Lot: 21
	REVISIONS									
No.	DATE									
Angelica Redpath, Designer Imagine Green Design Corp. North Brunswick, NJ 08902 (732) 485-4452	SCALE: 1/8"=1'-0"	DATE: 10/17/2006	DWG.							



LIGHTING LEGEND

- RECESSED INCANDESCENT WALL WASHER
- ⊕ RECESSED INCANDESCENT DOWNLITE
- ⊙ ELECT. FAN VENT. TO OUTSIDE
- ⚡ (2) HEAD EMERGENCY LITE BATTERY PACK
- ⚡ STANDARD LIGHT SWITCH, TOGGLE TYPE SET 6" FROM DOOR OPENING TO C.L. OF FIRST SWITCH MOUNTED AT 48" AFF TO C.L. OF SWITCH.
- ☑ AC POWERED SMOKE DETECTOR CONNECTED TO CENTRAL ALARM PANEL W/INTEGRATED ADA HORN/STROBE.
- NEW HANGING LIGHT FIXTURE

LEGEND

- ⊖ DUPLEX RECEPTACLE (120V, 20A) WALL MOUNTED 18" AFF

NOTE:
-ALL WALL MOUNTED OUTLETS TO BE VERTICALLY MOUNTED AT 18" A.F.F. TO THE CENTER LINE OF OUTLET. (U.O.M.)

1 LIGHTING-NEW OUTLETS PLAN & LEGEND
SCALE: 1/8"=1'-0"

GEORGE P. STANLEY PROFESSIONAL ARCHITECT N.J.R.A. LIC.#C-6097	Title: LIGHTING PLAN	Drawing Number A-6.1	<table border="1" style="width: 100%; border-collapse: collapse;"> <thead> <tr> <th colspan="2">REVISIONS</th> </tr> <tr> <th>No.</th> <th>DATE</th> </tr> </thead> <tbody> <tr> <td> </td> <td> </td> </tr> </tbody> </table>	REVISIONS		No.	DATE			Project: NU BAR 1996-1998 MORRIS AVENUE UNION, NJ 07083 Block: 2904 Lot: 21
	REVISIONS									
No.	DATE									
Angelica Redpath, Designer Imagine Green Design Corp. North Brunswick, NJ 08902 (732) 485-4452		SCALE: 1/8"=1'-0" DATE: 10/17/2006 DWG.								